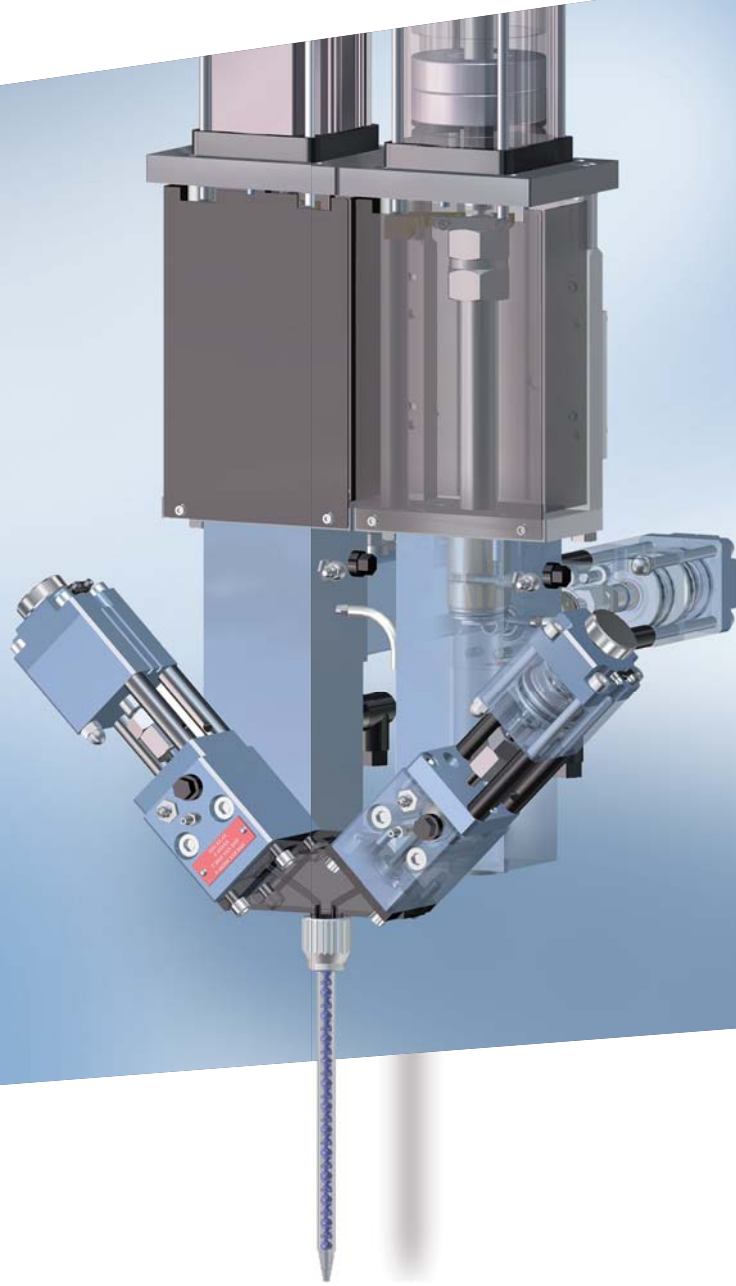


Metering Technology



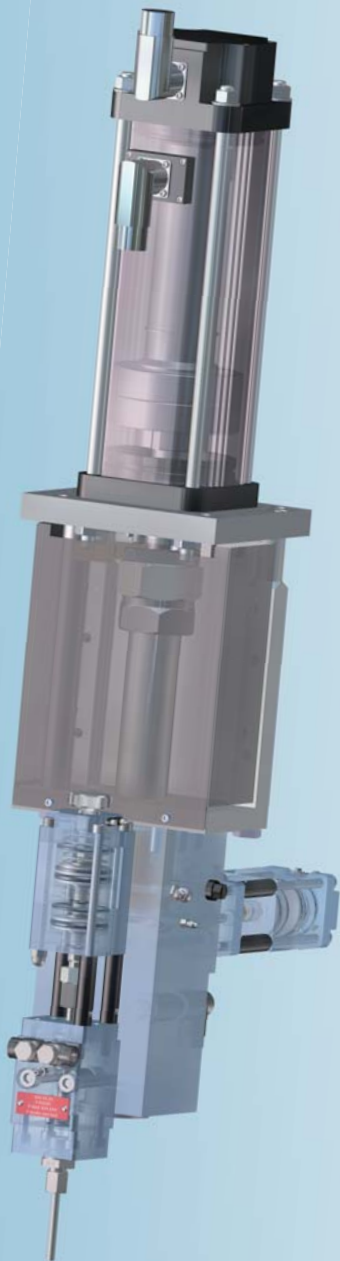
metadjs

metamjx



Hilger u. Kern / Dopag Group

metadis



General

To process low to high viscosity and even abrasive materials, the Hilger u. Kern / Dopag Group has developed two new product lines, metadis and metamix.

These new products are the result of consistent research, development and engineering with the goal of finding a visionary concept, able to set new standards for the future in metering technology.

The modular construction of metadis and metamix enables a wide range of use. Both product lines are especially recommended if a material needs to be applied in a high precision and repeatable way.

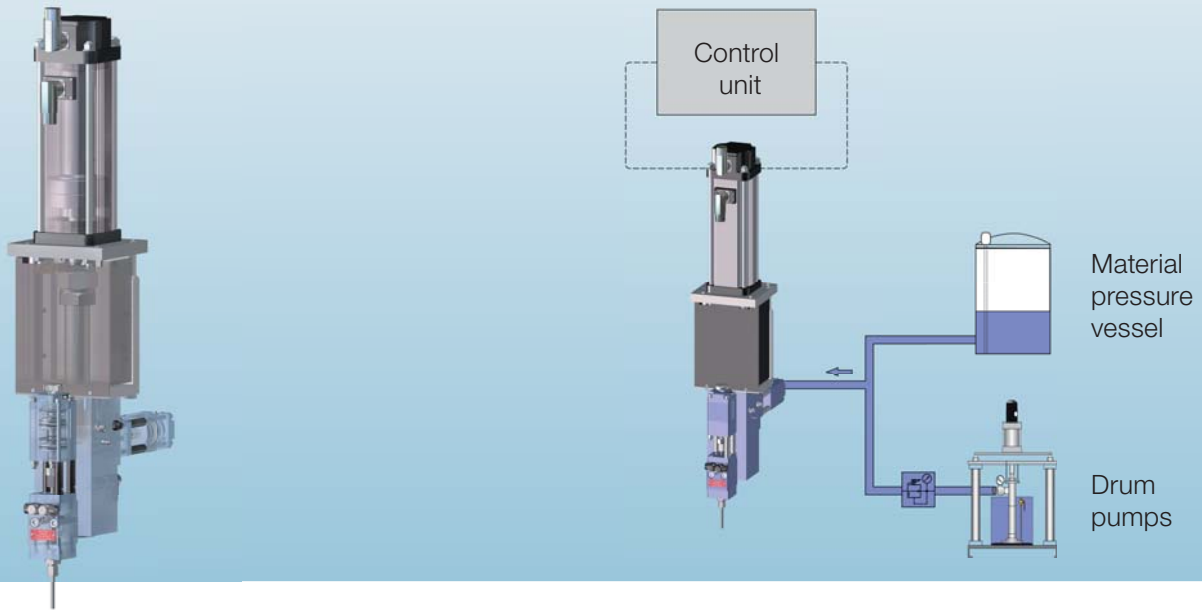
The rotational movement of a servo motor is converted into a linear movement by means of a spindle which is driving the steel piston.

Various constructional characteristics are resulting in minimal maintenance and reduced service intervals which leads to a longer product life.

Industries

These modern metering systems can be used in any industry where materials need to be applied in a high precision and repeatable way.

- Automotive
- Electrical and electronic
- Renewable energy
- Aerospace
- White goods
- and many more



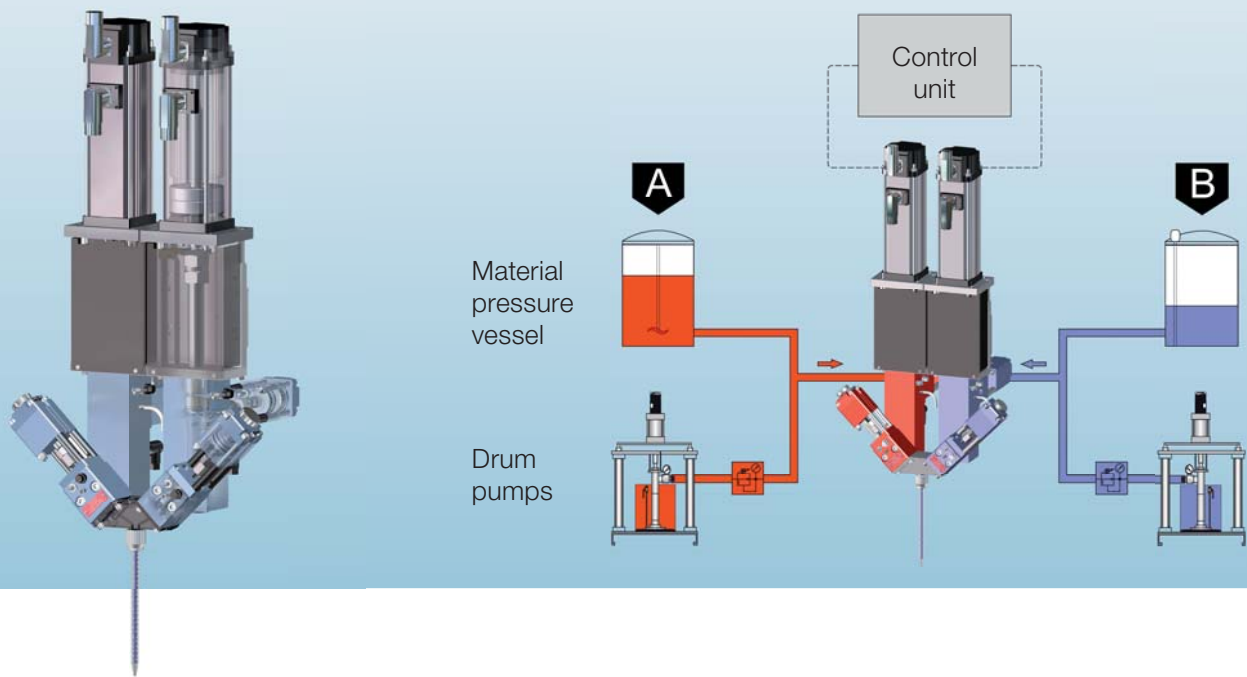
metadis is used to handle single component materials. Just a suitable material supply and metering computer is required.

The material can be processed by either shot dispensing or continuous flow.

Technical data

Size	Ø 6	Ø 10	Ø 20	Ø 36
Max. metering volume	1.8 ml	7.8 ml	31 ml	101 ml
Min. metering volume (5 mm Stroke)	0.14 ml	0.4 ml	1.6 ml	5.1 ml
Metering stroke	65 mm	100 mm	100 mm	100 mm
Max. flow rate*	169 ml/min	471 ml/min	1,884 ml/min	6,107 ml/min
Max. metering speed (Full stroke)*	0.65 s	1.0 s	1.0 s	1.0 s
Min. cycle time (Full stroke)*	2.5 s	3.0 s	3.0 s	3.0 s
Max. supply pressure	250 bar	160 bar	100 bar	90 bar
Min. supply pressure	3 bar	3 bar	3 bar	3 bar
Max. working pressure	250 bar	160 bar	100 bar	100 bar
Viscosity range	50 -1,000,000 mPa s	50 -1,000,000 mPa s	50 -1,000,000 mPa s	50 -1,000,000 mPa s
Power supply	100 - 240 VAC/N/PE / 3 x 400 VAC/PE	100 - 240 VAC/N/PE / 3 x 400 VAC/PE	100 - 240 VAC/N/PE / 3 x 400 VAC/PE	100 - 240 VAC/N/PE / 3 x 400 VAC/PE
Max. dimensions	102 x 320 x 596 mm	116 x 365 x 759 mm	116 x 365 x 769 mm	150 x 390 x 858 mm
Weight	approx. 9.1 kg	approx. 10.2 kg	approx. 15 kg	approx. 30 kg

* Depending on material characteristic



metamix is used to handle multi component materials. Due to its compatibility and modularity, two metadis single component piston metering systems, with different sizes if required, are used. They can be connected by simply using a mixing block onto the outlet of which a disposable plastic mixer is mounted.

Just a suitable material supply and metering computer is required.

The material can be processed by either shot dispensing or continuous flow.

Technical data

Size	Ø 6/6	Ø 10/10	Ø 20/20	Ø 36/36
Max. metering volume	3.7 ml	15.7 ml	62 ml	203 ml
Min. metering volume (5 mm Stroke)	0.3 ml	0.8 ml	3.2 ml	10.2 ml
Metering stroke	65 mm	100 mm	100 mm	100 mm
Max. flow rate*	339 ml/min	942 ml/min	3,769 ml/min	12,214 ml/min
Mixing ratio*	100:100 to 100:5 (lower on request)	100:100 to 100:5 (lower on request)	100:100 to 100:5 (lower on request)	100:100 to 100:5 (lower on request)
Max. metering speed (Full stroke)*	0.65 s	1.0 s	1.0 s	1.0 s
Min. cycle time (Full stroke)*	2.5 s	3.0 s	3.0 s	3.0 s
Max. supply pressure	250 bar	160 bar	100 bar	90 bar
Min. supply pressure	3 bar	3 bar	3 bar	3 bar
Max. working pressure	250 bar	160 bar	100 bar	100 bar
Viscosity range	50 -1,000,000 mPa s	50 -1,000,000 mPa s	50 -1,000,000 mPa s	50 -1,000,000 mPa s
Power supply	100 - 240 VAC/N/PE / 3 x 400 VAC/PE	100 - 240 VAC/N/PE / 3 x 400 VAC/PE	100 - 240 VAC/N/PE / 3 x 400 VAC/PE	100 - 240 VAC/N/PE / 3 x 400 VAC/PE
Max. dimensions	415 x 350 x 544 mm	415 x 365 x 709 mm	415 x 365 x 719 mm	449 x 390 x 825 mm
Weight	approx. 18.2 kg	approx. 20.4 kg	approx. 30 kg	approx. 60 kg

* Depending on material characteristic

Application areas

- Bonding
- Sealing
- Encapsulation
- Shot dispensing
- Bead dispensing

Features and Benefits

- Modular construction enables a wide range of use, variable mixing ratios and flow rates
- Metering unit with a snuff back effect avoids the contamination of the work space
- High precision through metering and mixing at the point of application
- Dispensing multi shots with a single metering chamber volume enables short cycle times
- High process security through:
 - construction with reduced dead space
 - de-airing on the top of the metering chamber
 - metering chamber with pressure monitoring
- Reduction of the maintenance through:
 - specially guided metering pistons
 - coupling between drive and metering piston
 - flushing of the metering piston with sealing liquid

Control unit

Hilger u. Kern metering computer

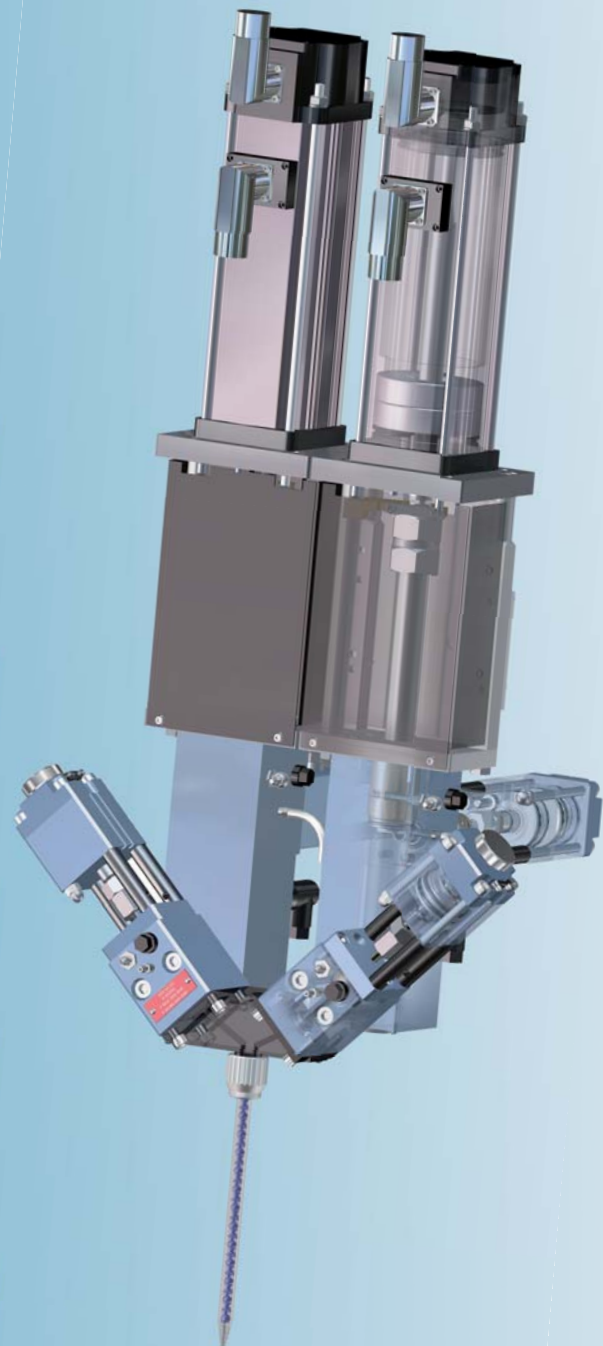
To control these systems a metering computer with touch screen terminal is used.

With this metering computer all applications that can be achieved with metadis or metamix can be parameterised and different metering processes can be memorised.

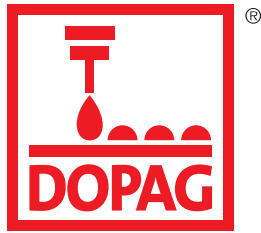
The control unit is wired into a control cabinet.

The metering computer can also handle applications where a speed proportional material supply is required, for example in combination with a robot.

metamix



Hilger u. Kern / Dopag Group



Germany

Hilger u. Kern GmbH
Industrietechnik
Käfertaler Straße 253
68167 Mannheim

☎ +49 621 3705-0
☎ +49 621 3705-200
info@hilger-kern.de
www.hilger-kern.com

Vertriebsbüro Mitte 1
68167 Mannheim
☎ +49 171 8087282
VBMitte@hilger-kern.de

Vertriebsbüro Mitte 2
68167 Mannheim
☎ +49 171 8087299
VBMitte@hilger-kern.de

Vertriebsbüro Nord
30880 Laatzen
☎ +49 171 8087290
VBNord@hilger-kern.de

Vertriebsbüro Ost
99831 Creuzburg
☎ +49 171 8087303
VBOst@hilger-kern.de

Vertriebsbüro West
46238 Bottrop
☎ +49 171 8241397
VBWest@hilger-kern.de

China

Hilger u. Kern Trading
(Shanghai) Co., Ltd.
☎ +86 21 3368 7775
office@hilger-kern.com.cn

Switzerland

DOPAG Dosiertechnik
und Pneumatik AG
Langackerstrasse 25
6330 Cham

☎ +41 41 7855-757
☎ +41 41 7855-700
info@dopag.ch
www.dopag.com

Denmark

DOPAG SCAN ApS
Roskilde
☎ +45 45 828090
info@dopag.dk

United Kingdom

DOPAG (UK) Ltd.
Droitwich
☎ +44 1299 250740
uksales@dopag.co.uk

France

DOPAG Sarl
Valence
☎ +33 4 75419060
contact@dopag.fr

Italy

DOPAG ITALIA S.r.l.
Turin
☎ +39 011 9348888
info.it@dopag.com

Malaysia

DOPAG FAR EAST
SDN BHD
Selangor
☎ +60 3 78064564
info@dopag.com.my

USA

DOPAG (US) Ltd.
Cincinnati
☎ +1 859 918 5690
ussales@dopag.com

The Hilger u. Kern / Dopag Group, with more than 300 employees,

8 subsidiaries and 24 distributors, is one of the leading manufacturers

of metering and mixing systems in the world for plural component

polymers and single component media such as greases, oils and pastes.

For more than 30 years the group has developed systems and

components to suit your individual needs.