



DOPAG Metering and Mixing System for low to medium viscosity media ELDO-MIX 603



ELDO-MIX 603

for low to medium viscosity media

The ELDO-MIX 603 is a solvent free gear metering and mixing system, used to handle low to medium viscosity multi component media, such as epoxy resins, polyurethanes or silicones. Special configurations to process high viscosity media are also available.

The modular construction of the system has been designed for the highest possible flexibility. Material supply is by drum pumps that are placed in material supply modules with castors that can be individually positioned.

Typical Applications

- Coating
- Sealing
- Gluing
- Encapsulating



Features and benefits

- Modular, flexible construction
- Variable mixing ratio
- Variable output rate
- Shot dispensing or continuous flow
- Solvent free



Equipment

Standard

- Chassis with castors
- Individually positioned material supply modules with pressure vessels
- Gear pump with over pressure protection
- Three phase asynchronous motor
- Static mixing system
 - Twin snuffer valve
 - Disposable static mixer
- Metering computer

Optional

- Static-dynamic mixing system
 - with mixer element monitoring
- Dynamic mixing system
- Control box and pressure vessel chassis mounted on castors
- Pressure vessel with
 - level control
 - agitator
 - automatical refill
 - connection for vacuum pump
- Material supply by drum pumps

- Touch screen terminal
- Controlling or regulation of mixing ratio and output rate through
 - Volume counter
 - Mass flow meter
- Drive through servo motor
- Heating
- Bypass

Function



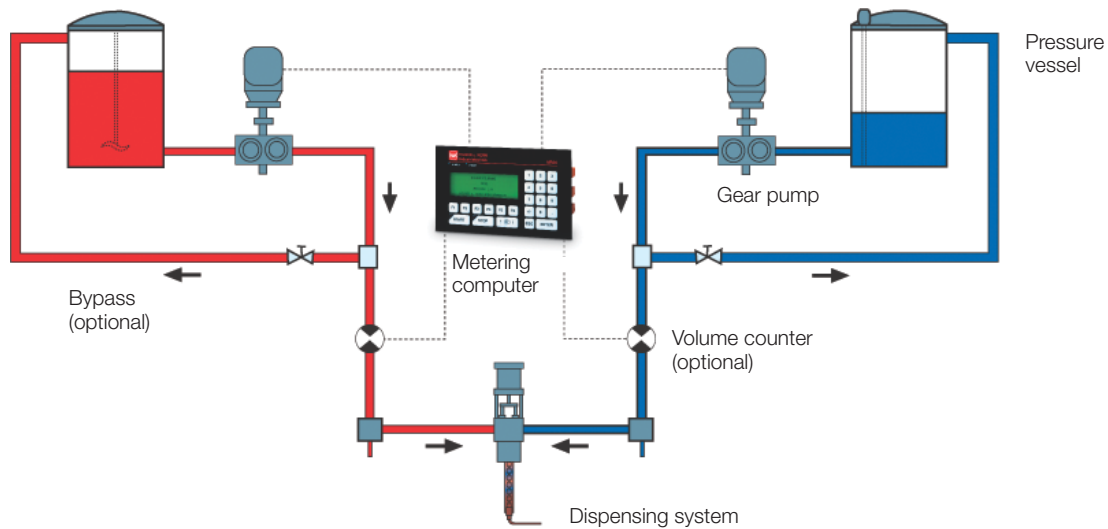
Material supply modules with pressure vessels are used to supply the material into the three phase asynchronous motor driven gear pumps where they are proportioned at the pre-selected ratio.

Each gear pump is protected against over pressure as standard.

A metering computer is used to control and monitor the system.

The ELDO-MIX 603 is fitted with a static mixing system that includes a twin snuffer valve combined with a disposable static mixer.

Should mixed material be allowed to cure in the mixer, it can be replaced simply and inexpensively, thus avoiding a time consuming, expensive and environment damaging flushing cycle.



Technical Data

Flow rate	2 ml to 10 l/min, depending on mixing ratio and viscosity
Mixing ratio	100:100 to 100:2, by volume
Maximum working pressure	100 bar
Mixing system	Static mixing system - Twin snuffer valve - Disposal static mixer
Material supply	Modules with pressure vessel, 12, 24 or 45 l
Viscosity range	50 to 80,000 mPa s, with pressure vessel up to 300,000 mPa s, with drum pumps
Material characteristics	Filled, slightly abrasive
Power supply	3 x 400 V / 50 Hz / 16 A
Maximum air inlet pressure	6 bar
Dimensions L x W x H	Complete, approx. 1.810 x 1.000 x 1.694 mm Control, approx. 960 x 1.000 x 1.146 mm Modules, approx. 750 x 1.000 x 1.694 mm
Weight	approx. 600 kg

Hilger u. Kern / Dopag Group



Hilger u. Kern GmbH
Industrietechnik

Käfertaler Straße 253
68167 Mannheim
Germany

☎ +49 621 3705-0
☎ +49 621 3705-200

info@hilger-kern.de
www.hilger-kern.com

Vertriebsbüro Mitte 1
68167 Mannheim
☎ +49 621 3705-284
VBMitte@hilger-kern.de

Vertriebsbüro Mitte 2
68167 Mannheim
☎ +49 621 3705-450
VBMitte@hilger-kern.de

Vertriebsbüro Nord
30880 Laatzen
☎ +49 511 8999920
VBNord@hilger-kern.de

Vertriebsbüro Ost
01109 Dresden
☎ +49 351 8116095
VBOst@hilger-kern.de

Vertriebsbüro Süd
86391 Stadtbergen
☎ +49 821 44409960
VBSued@hilger-kern.de

Vertriebsbüro West
46238 Bottrop
☎ +49 2041 706240
VBWest@hilger-kern.de

DOPAG Dosiertechnik
und Pneumatik AG

Langackerstrasse 25
6330 Cham
Switzerland

☎ +41 41 7855-757
☎ +41 41 7855-700

info@dopag.ch
www.dopag.com

DOPAG SCAN ApS
Birkerød
Denmark
☎ +45 45 828090
info@dopag.dk

DOPAG (UK) Ltd.
Hartlebury
United Kingdom
☎ +44 1299 250740
uksales@dopag.com

DOPAG Sarl
Valence
France
☎ +33 4 75419060
contact@dopag.fr

DOPAG ITALIA S.r.l.
Turin
Italy
☎ +39 011 9348888
info.it@dopag.com

DOPAG FAR EAST
SDN BHD
Selangor
Malaysia
☎ +60 3 78064564
info@dopag.com.my

DOPAG Sverige
Malmö
Sweden
☎ +46 40 108595
info@dopag.dk

The Hilger u. Kern / Dopag group, with more than 300 employees and 7 subsidiaries, is one of the leading manufacturers of machines for metering and mixing systems in the world for plural component polymers and single component media such as greases, oils and pastes.

For more than 30 years the group has developed machines, systems and components to suit your individual needs.